

FLAIL MOWER LTS

OPERATOR MANUAL

Vert Service S.A.

Rue de Nazareth, 10
4651 Battice (Belgium)

☎ +32.87.67.89.48

📠 +32.87.66.07.75

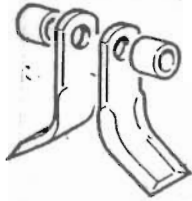
-Minitrac-

Guarantee

ALL MACHINES ARE GUARANTEED FOR A PERIOD OF 12 MONTHS FROM THE DATE OF PURCHASE TO COVER ANY DEFECTIVE PARTS. THE PARTS WILL BE REPAIRED OR REPLACED AT THE MANUFACTURERS DISCRETION.

TECHNICAL SPECIFICATION

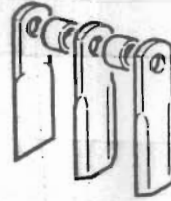
WIDTH (CM)	85	95	105	115	125
MIN. POWER (HP)	10,8	12,1	13,4	14,7	16
KNIVES NUMBER	28	32	36	40	42
WEIGHT (KG)	66	81	96	115	130
PTO	540	540	540	540	540



Y for grass



Shovel for grass

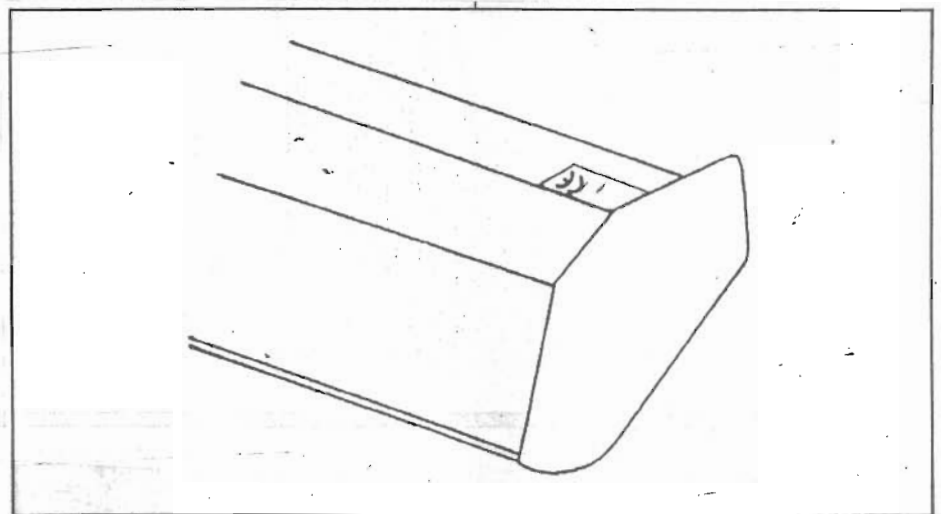


For scarifying



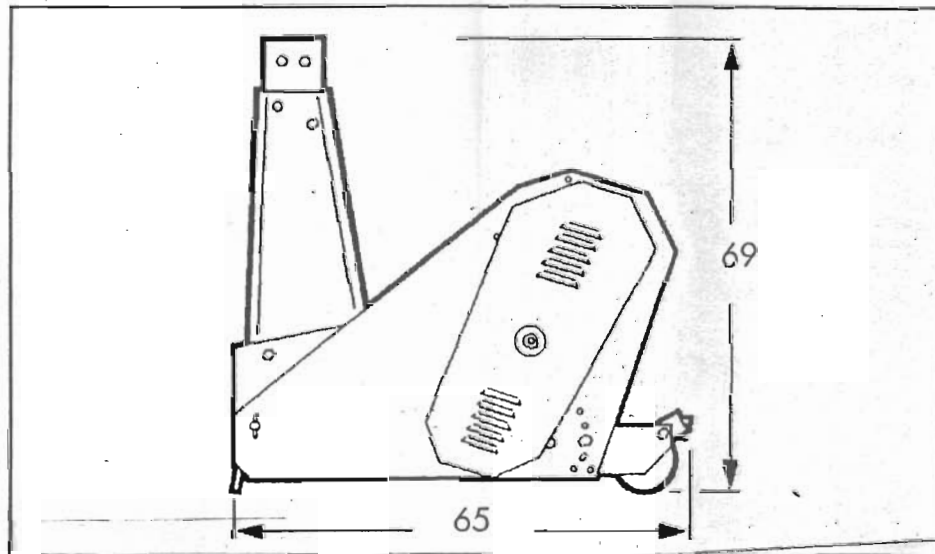
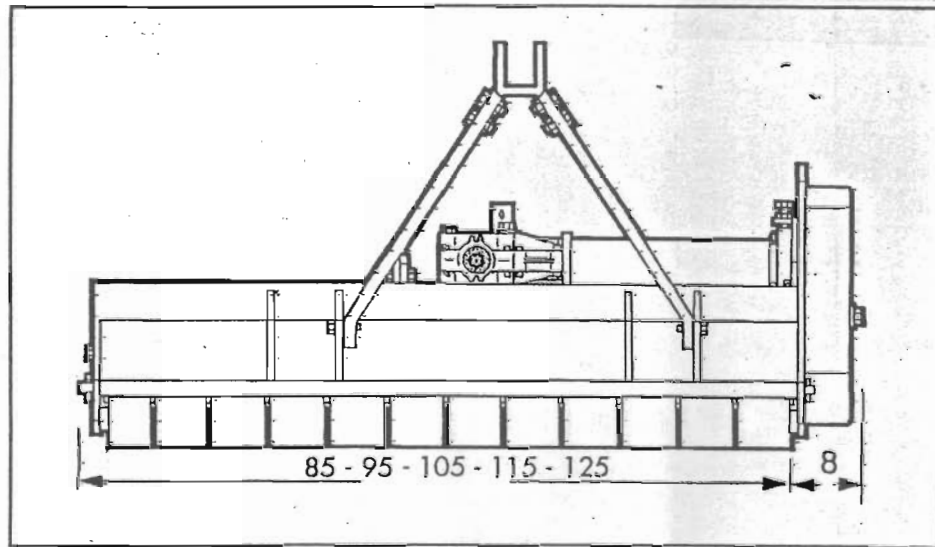
For wood

MACHINES HAVE CE APPROVAL



ALWAYS QUOTE MODEL & SERIAL NUMBERS WHEN ORDERING SPARE PARTS

TECHNICAL DATA



SAFETY

- 1. NEVER APPROACH THE MACHINE UNLESS THE DRIVE IS DISCONNECTED AND THE ENGINE IS STOPPED.**
- 2. DO NOT WORK UNDER THE MACHINE UNLESS IT HAS BEEN SUPPORTED (IN THE EVENT OF THE TRACTOR HYDRAULICS DROPPING).**
- 3. ALWAYS MAKE SURE THE MOWER GUARDS ARE FITTED CORRECTLY BEFORE OPERATING THE MACHINE (NEVER REMOVE THE GUARDS WITH THE MACHINE RUNNING).**
- 4. ALWAYS STOP THE ENGINE OF THE MACHINE BEFORE TRYING TO REMOVE BLOCKAGES.**
- 5. IF VIBRATION OCCURS STOP THE ENGINE AND CHECK THE DRUM FOR THE LOSS OF BALANCE WEIGHTS OR DAMAGED BLADES (FOR REFITMENT OF BLADES SEE PAGE 4).**
- 6. NEVER GO NEAR THE PTO SHAFT WITH THE ENGINE RUNNING.**
- 7. ALWAYS MOUNT THE THREE POINT LINKAGE CORRECTLY (FIG 4 & FIG 5).**

1. Adjustment of Cutting Height

THE CUTTING HEIGHT IS ADJUSTED BY SETTING THE ROLLER HEIGHT (SEE FIG 7)

2. WARNING

IF THE CUTTING HEIGHT IS TOO LOW ON UNEVEN GROUND IT IS POSSIBLE TO DAMAGE BOTH THE GRASS AND THE CUTTING BLADES.

- 3. FOR FINE ADJUSTMENT OF CUTTING HEIGHT THE TOP LINK CAN BE ADJUSTED AS REQUIRED, THIS IS PARTICULARLY USEFULL WHEN SCARIFYING BLADES ARE FITTED (FIG 6).**
- 4. THE BELT IS ADJUSTED BY SLACKENING THE RETAINING BOLT (IN SLOTS) AND TIGHTENING THE ADJUSER (R) RETIGHT RETAINING BOLTS BEFORE USE (FIG 9).**
- 5. REPLACING THE BLADES. WHEN REPLACING THE BLADES REMOVE THE LOCK NUT & BOLT, YOU CAN REVERSE THE BLADES TO GET A SECOND CUTING EDGE. IF A BLADE IS DAMAGED ALWAYS REPLACE A COMPLETE SET AS THE DRUM & ROTOR SHAFT ARE BALLANCED.**
- 6. FOR STORAGE AND FITTING OF THE MACHINE STORE LEVEL (FIG 2 & FIG 3).**

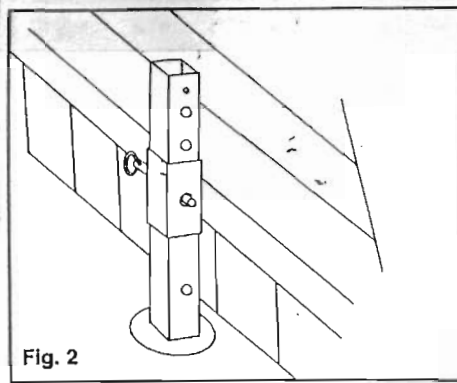


Fig. 2

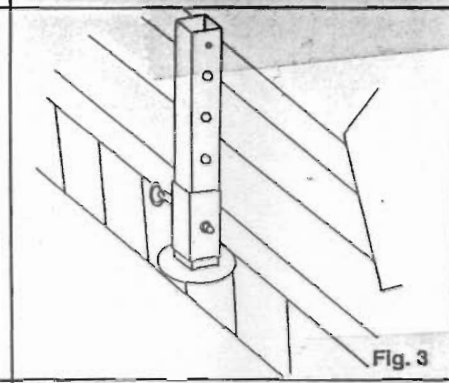


Fig. 3

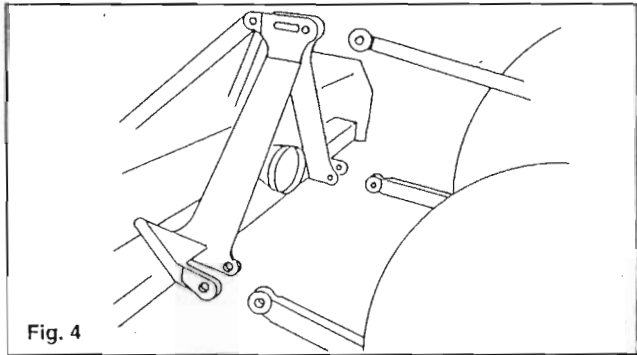


Fig. 4

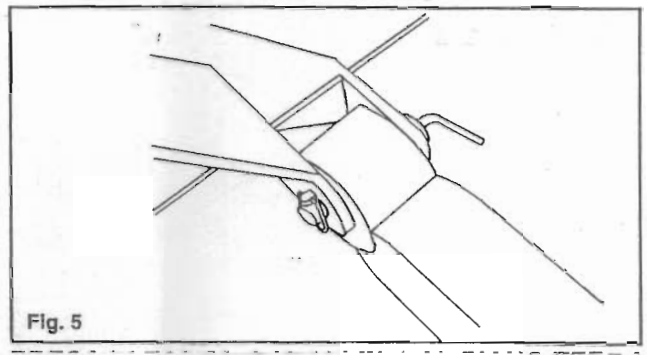


Fig. 5

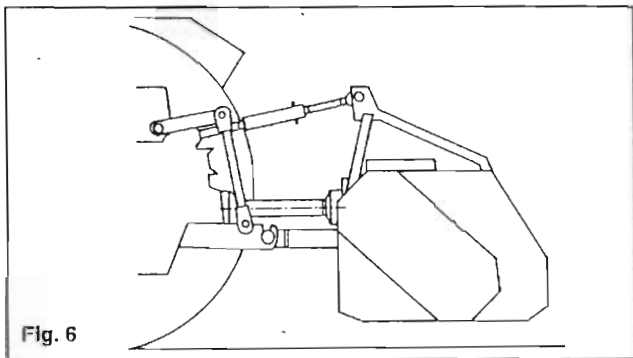


Fig. 6

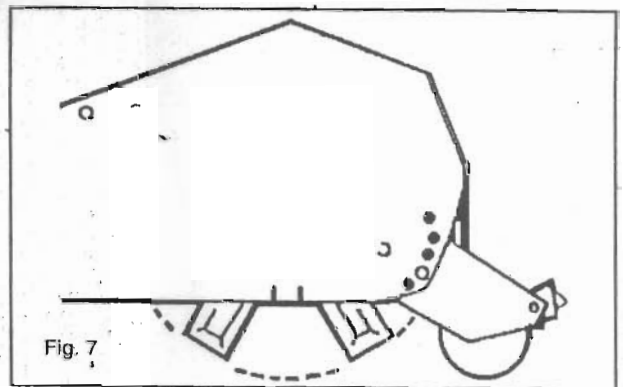


Fig. 7

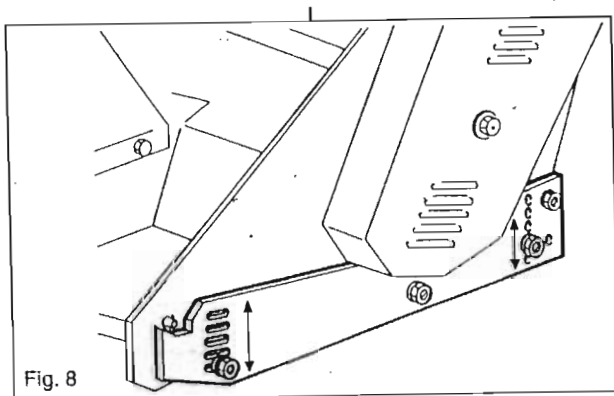


Fig. 8

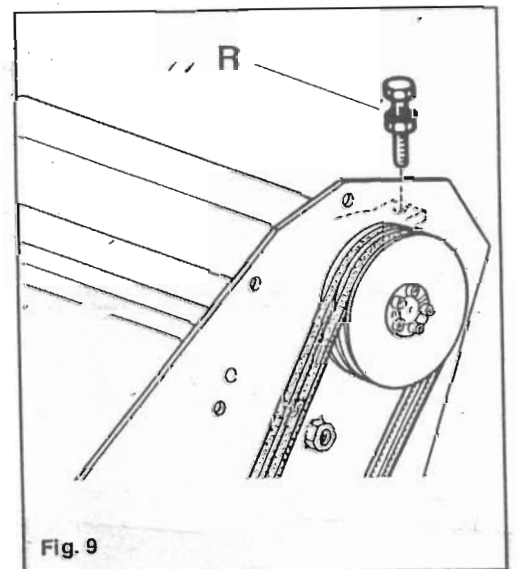


Fig. 9

- TSL GRASS-SHREDDER - GRASHÄCKSLER TSL - MACHINE À HÂCHER L'ERBE TSL - CORTADORA DE HIERBA TSL

